

## Press Fit SCR ½", 25 Amps

**Features**

- Improved glass passivation for high reliability
- Exceptional stability at high temperatures
- Metric thread type available
- Low thermal resistance



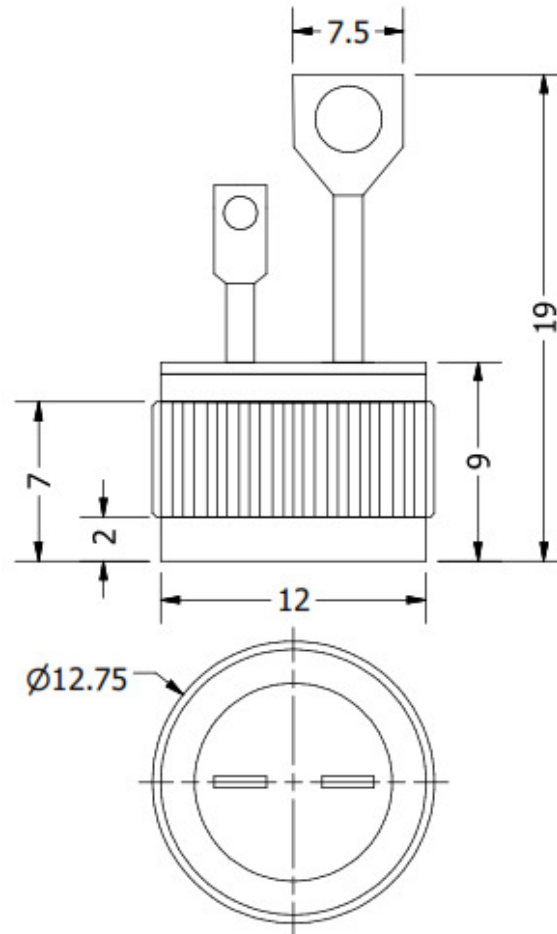
TO-203/F

Electrical Characteristics (T <sub>A</sub> = 25°C unless otherwise specified)			
Parameter	Symbol	Part Numbers	Units
Maximum repetitive peak reverse voltage, V <sub>RRM</sub>	50	NPS250	V
	100	NPS251	
	200	NPS252	
	400	NPS254	
	600	NPS256	
Maximum average forward output current	I <sub>T(RMS)</sub>	25	A
Peak forward surge current, single half sine-wave	I <sub>TSM</sub>	250	A
Peak gate trigger current	I <sub>GTM</sub>	2	A
Peak gate power dissipation @ I <sub>GT</sub> ≤ I <sub>GTM</sub>	P <sub>GM</sub>	20	W
Average gate power dissipation	P <sub>G(AV)</sub>	0.5	W
Peak off-state current	I <sub>DRM</sub> & I <sub>RRM</sub>	1.0	mA
Maximum instantaneous forward voltage drop @ 100 A	V <sub>TM</sub>	1.5	V
DC holding current	I <sub>H</sub>	50	mA
Critical rate-of-rise of off-state voltage	dv/dt	200	V/μsec
Gate trigger current	I <sub>GT</sub>	25	mA
Gate trigger voltage	V <sub>GT</sub>	2.0	V
Turn-on time	T <sub>gt</sub>	2.5	μsec

Thermal and Mechanical Specifications (T <sub>A</sub> = 25°C, unless otherwise noted)			
Parameters	Symbol	Values	Units
Maximum operating junction temperature range	T <sub>J</sub>	- 40 to +110	°C
Maximum storage temperature range	T <sub>Stg</sub>	- 40 to +150	°C
Maximum thermal resistance, junction to case	R <sub>θ(j-c)</sub>	1.3	°C/W
Approximate weight	W	15	g

## Package Outline

(All dimensions in mm)



## Ordering Table

NPS	25	0,1,2,4,6
1	2	3

- 1 – Press Fit SCR
- 2 – Current,  $I_{F(AV)}$
- 3 – Voltage,  $V_{RRM}$  (See table)