

## Press Fit SCR ½", 20 Amps

**Features**

- Improved glass passivation for high reliability
- Exceptional stability at high temperatures
- Metric thread type available
- Low thermal resistance



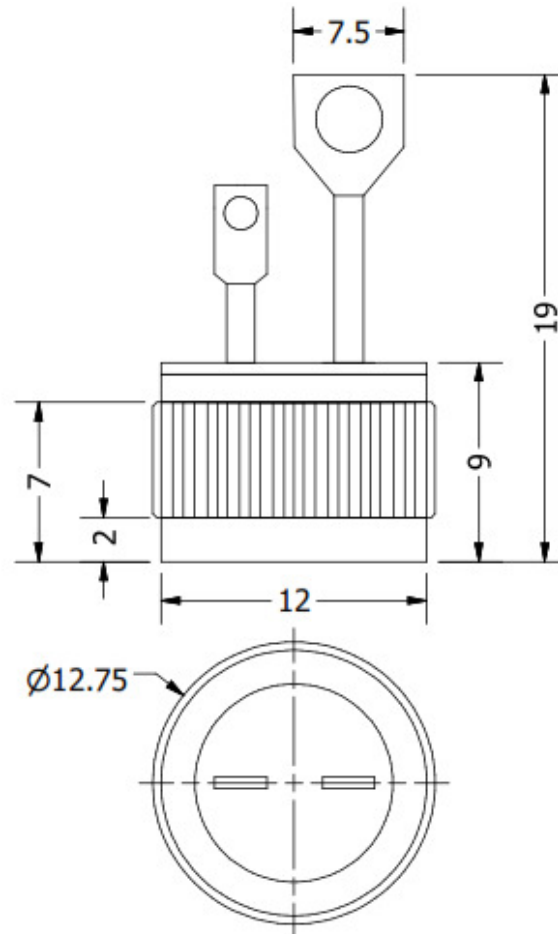
TO-203/F

Electrical Characteristics ( $T_A = 25^\circ\text{C}$ unless otherwise specified)			
Parameter	Symbol	Part Numbers	Units
Maximum repetitive peak reverse voltage, $V_{RRM}$	50	NPS200	V
	100	NPS201	
	200	NPS202	
	400	NPS204	
	600	NPS206	
RMS on-state current	$I_{T(RMS)}$	20	A
Non-repetitive peak surge on-state current, one cycle	$I_{TSM}$	200	A
Peak gate trigger current	$I_{GTM}$	2	A
Peak gate power dissipation @ $I_{GT} \leq I_{GTM}$	$P_{GM}$	20	W
Average gate power dissipation	$P_{G(AV)}$	0.5	W
Peak off-state current	$I_{DRM}$ & $I_{RRM}$	1.0	mA
Maximum instantaneous forward voltage drop	$V_{TM}$	1.9	V
DC holding current	$I_H$	50	mA
Critical rate-of-rise of off-state voltage	dv/dt	200	V/ $\mu\text{sec}$
DC gate trigger current	$I_{GT}$	25	mA
DC gate trigger voltage	$V_{GT}$	2.0	V
Gate controlled turn-on time	Tgt	2.5	$\mu\text{sec}$

Thermal and Mechanical Specifications ( $T_A = 25^\circ\text{C}$ , unless otherwise noted)			
Parameters	Symbol	Values	Units
Maximum operating junction temperature range	$T_J$	- 40 to +110	$^\circ\text{C}$
Maximum storage temperature range	$T_{Stg}$	- 40 to +150	$^\circ\text{C}$
Maximum thermal resistance, junction to case	$R_{\theta(j-c)}$	1.3	$^\circ\text{C}/\text{W}$
Approximate weight	W	15	g

## Package Outline

(All dimensions in mm)



## Ordering Table

NPS	20	0,1,2,4,6
1	2	3

- 1 – Press Fit SCR
- 2 – Current,  $I_{F(AV)}$
- 3 – Voltage,  $V_{RRM}$  (See table)