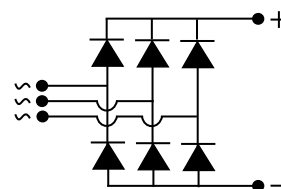


Three Phase Bridge Rectifier, 30 Amps

Features

- Easy connections
- Excellent power volume ratio
- Insulated type



MDS

| Voltage Ratings ($T_J = 25^\circ\text{C}$ unless otherwise noted) | | | | |
|--|--------------|---|---|-----------------------------------|
| Type number | Voltage code | V_{RRM} , Max. repetitive peak reverse voltage (V) | V_{RSM} , Max. non-repetitive peak reverse voltage (V) | I_{RRM} max @ T_J max (mA) |
| MDS30 | 80 | 800 | 900 | 2.0 |
| | 100 | 1000 | 1100 | |
| | 120 | 1200 | 1300 | |
| | 140 | 1400 | 1500 | |
| | 160 | 1600 | 1700 | |

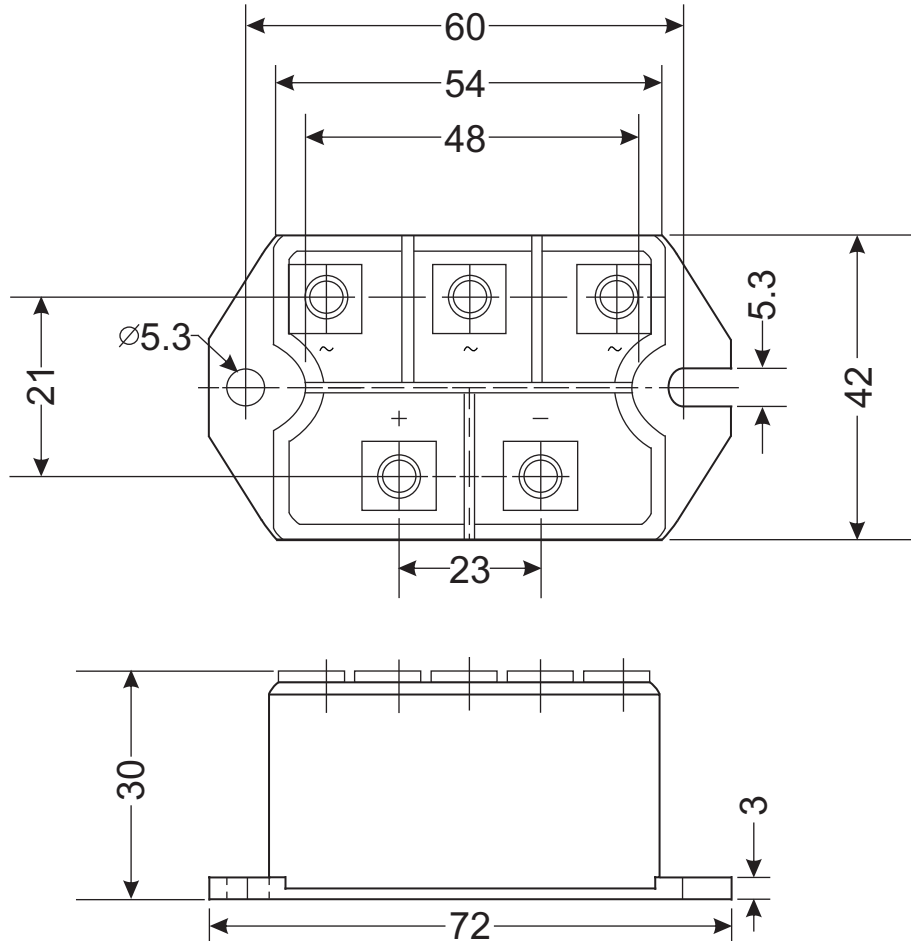


| Electrical Specifications ($T_J = 25^\circ\text{C}$ unless otherwise noted) | | | | |
|--|--|-----------|--------|----------------------|
| Parameters | Conditions | Symbol | Values | Units |
| Maximum DC output current | $T_C = 95^\circ\text{C}$ | I_{DC} | 40 | A |
| Forward surge current (non-repetitive), one cycle | $f = 50$ Hz | I_{FSM} | 300 | A |
| Fusing current | $t = 10$ ms | I^2t | 450 | A^2s |
| Maximum forward voltage drop | $I_{FM} = 50\text{A}$, $T_J = 25^\circ\text{C}$ | V_{FM} | 1.1 | V |
| RMS isolation voltage | 1 min. | V_{ISO} | 3000 | V |

| Thermal and Mechanical Specifications ($T_J = 25^\circ\text{C}$ unless otherwise noted) | | | |
|--|---------------|---------------|---------------------------|
| Parameters | Symbol | Values | Units |
| Maximum operating junction temperature range | T_J | - 40 to + 150 | $^\circ\text{C}$ |
| Maximum storage temperature range | T_{STG} | - 40 to + 150 | $^\circ\text{C}$ |
| Maximum thermal resistance, junction to case | $R_{th(J-C)}$ | 0.46 | $^\circ\text{C}/\text{W}$ |
| Mounting torque | to heatsink | $3 \pm 15\%$ | Nm |
| | to terminal | $3 \pm 15\%$ | |
| Approximate weight | W | 150 | g |

Package Outline

(All dimensions in mm)



Ordering Table

| <i>MDS</i> | <i>30</i> | <i>/</i> | <i>120</i> |
|------------|-----------|----------|------------|
| 1 | 2 | | 3 |

1 – Three-Phase Bridge

2 – Current = I_D

3 – Voltage Code x 10 = V_{RRM} (See Voltage Ratings Table)