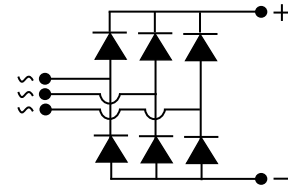


Three Phase Bridge Rectifier, 175 Amps

Features

- Easy connections
- Excellent power volume ratio
- Insulated type



MDS

Voltage Ratings ($T_J = 25^\circ\text{C}$ unless otherwise noted)				
Type number	Voltage code	V_{RRM} , Max. repetitive peak reverse voltage (V)	V_{RSM} , Max. non-repetitive peak reverse voltage (V)	I_{RRM} max @ T_J max (mA)
MDS160	80	800	900	2.0
	100	1000	1100	
	120	1200	1300	
	140	1400	1500	
	160	1600	1700	

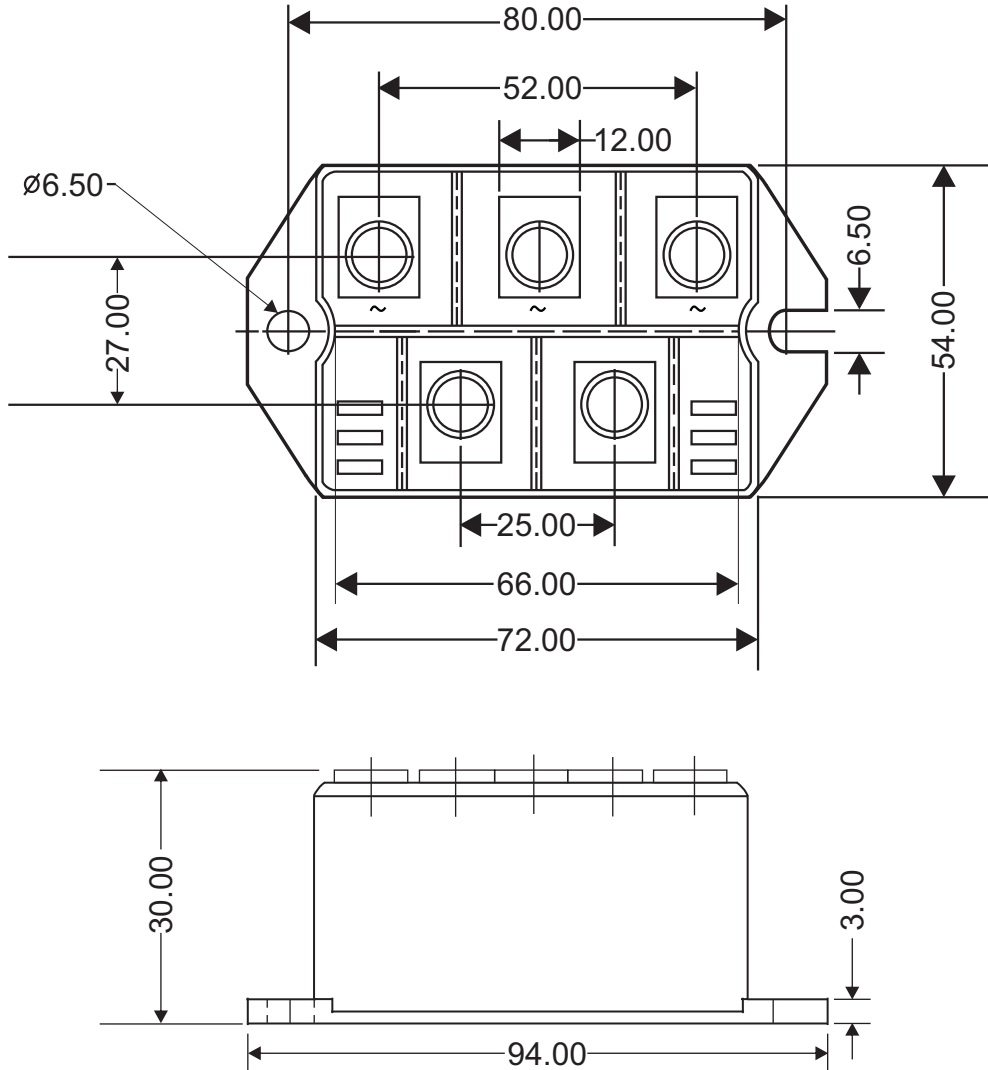


Electrical Specifications ($T_J = 25^\circ\text{C}$ unless otherwise noted)				
Parameters	Conditions	Symbol	Values	Units
Maximum DC output current	$T_C = 110^\circ\text{C}$, $T_J = 150^\circ\text{C}$	I_{DC}	175	A
Forward surge current (non-repetitive), one cycle	$f = 50$ Hz	I_{FSM}	1800	A
Fusing current	$t = 10$ ms	I^2t	16200	A^2s
Maximum forward voltage drop	$I_{FM} = 180\text{A}$, $T_J = 25^\circ\text{C}$	V_{FM}	1.40	V
RMS isolation voltage	1 min.	V_{ISO}	3000	V

Thermal and Mechanical Specifications ($T_J = 25^\circ\text{C}$ unless otherwise noted)				
Parameters		Symbol	Values	Units
Maximum operating junction temperature range		T_J	- 40 to + 150	$^\circ\text{C}$
Maximum storage temperature range		T_{STG}	- 40 to + 125	$^\circ\text{C}$
Threshold Voltage		V_{TO}	max. 0.77	V
Slope Resistance		r_T	max. 3.4	$\text{m}\Omega$
Maximum thermal resistance, junction to case		$R_{th(j-c)}$	0.5	$^\circ\text{C}/\text{W}$
Mounting torque	to heatsink	F	$5 \pm 15\%$	Nm
	to terminal		$5 \pm 15\%$	
Approximate weight		W	295	g

Package Outline

(All dimensions in mm)



Ordering Table

MDS	160	/	160
1	2		3

- 1 - Three-Phase Bridge
- 2 - Current = I_D
- 3 - Voltage Code x 10 = V_{RRM} (See Voltage Ratings Table)